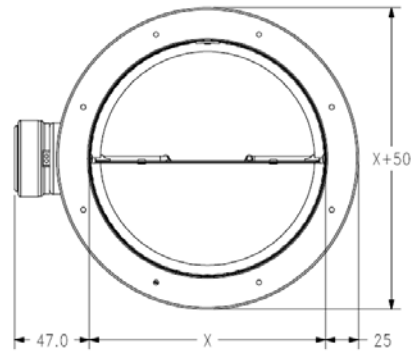
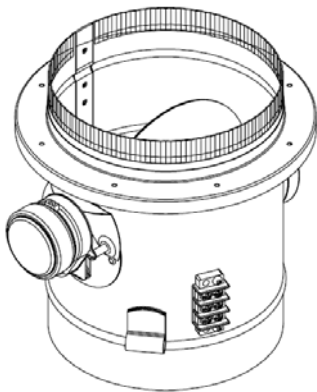


General Information on the **HMI** HOYME  
**UNIVERSAL AIR CONTROL DAMPER**

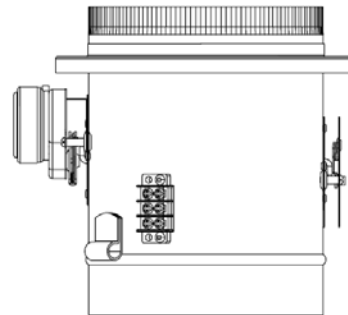
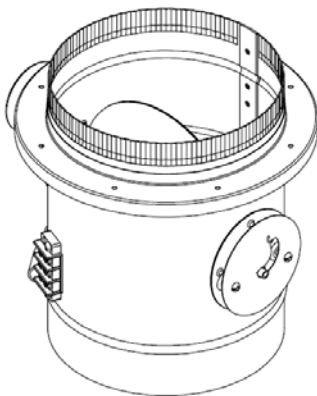
The Universal Motorized Air Control Damper is an in-line damper used for several applications such as fresh air inlets, stale air outlets, heat recovery ventilators, zone air, flue dampers and also the control of air through humidifiers. These various applications require different configurations and are identified by specific numbers and letters. The basic diameter sizes illustrated here range from 4" to 9" in increments of 1". Please refer to the Hoyme web at [www.hoyme.com](http://www.hoyme.com) for specific differences in dampers applicable to a particular application.

The I.D. for the Universal Air Control Damper illustrated here is:

HAC-0x10-OPC/PO where "x" = Diameter of Damper in inches. (HAC Damper with one Motor - Spring Return, Power Open or Power Closed)  
Coloured wiring diagrams are shown on the web at [www.hoyme.com](http://www.hoyme.com).



Note: 4" = 100mm  
NOTE: "X" = 100 TO 225 IN INCREMENTS OF 25mm



LENGTH = 200mm

Motorized Air Control Dampers by **HMI** HOYME MANUFACTURING INC.

0651-ch/ms

Email: [hoyme@hoyme.com](mailto:hoyme@hoyme.com)  
Website: [www.hoyme.com](http://www.hoyme.com)

PHONE 1 800 661-7382 TOLL FREE  
FAX 1 800 661-8065 TOLL FREE