

HMI Hoyme Manufacturing Inc. **Special Note: Circuits are colored for clarification only and are not necessarily those found in actual installations. Wires of the Combustion Air Damper, however, are colored as shown.**

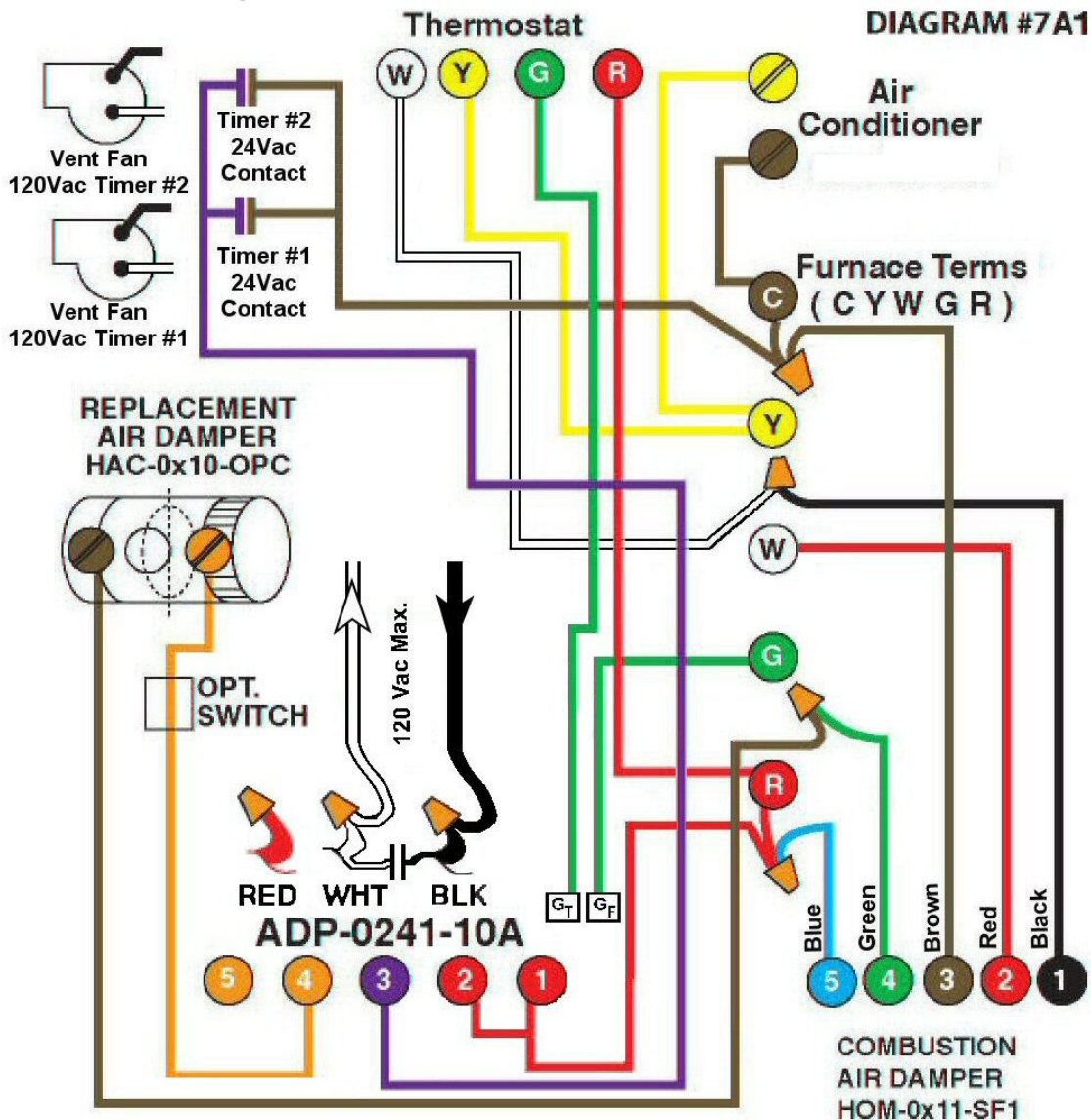


Diagram #7A1: A Forced Air Furnace, a combustion air supply duct, a replacement air supply duct, two exhaust fans, two individual timers and an adaptor **ADP-0241-10A**.

1. Combustion Air Damper (**HOM-0x11-SF1**)
2. Replacement Air Damper (**HAC-0x10-OPC**)
3. Two exhaust fans having individual timers with 24Vac switching capabilities
4. 24Vac Relay Adaptor (**ADP-0241-10A**) to function as a control centre.

OPERATION: 1. Combustion Air Damper and Replacement Air Damper open during furnace firing. 2. Ventilation Switch/Timer (either one) turns on Exhaust Fan(s), opens Replacement Air Damper and turns on Furnace Fan simultaneously. 3. **Optional switch** (i.e. toggle switch, de-humidistat) allows full control of Replacement Air damper to open as required provided it is a **Power Close** type.

N.B. Replacement Air Damper is not affected by the 'Manual' setting of the furnace fan.

Additional Colored Wiring diagrams are shown on the web at www.hoyme.com